

LEAD PIN OUT		
Vout	GND	Vs
3	2	1

LEAD STYLE 1

GENERAL CHARACTERISTICS								
PRESSURE RANGE	SEE CHART							
OVERPRESSURE	SEE CHART							
TEMPERATURE RANGES	SEE CHART							
STORAGE	-55° TO +125° C							
OPERATING	-45° TO +125° C							
SUPPLY VOLTAGE	5.0 Vdc (NOM) ± 25% Vdc							
SUPPLY CURRENT	10mA MAX							
SHORT CIRCUIT LIMIT	4							
OUTPUT SOURCE CURRENT	0.5 mA MAX							
OUTPUT SINK CURRENT	10 mA MAX							
OUTPUT CAPACITANCE	0.01µ F MAX							
DRIVE CAPABILITY								
RATIOMETRICITY	± 0.25% SPAN TYP							
OUTPUT PERFORMANCE AT 25°C AND 5.00±0.01 VDC SUPPLY UNLESS NOTED								
NULL (0 PSIG)	SEE CHART							
FULL SCALE	4500 Vdc TYP							
SPAN	SEE CHART							
SENSITIVITY	SEE CHART							
HYSTERESIS & REPEATABILITY	0.15% SPAN TYP							
TEMPERATURE ERROR (1)	0 TO -15 PSI	0 TO 15 PSI	0 TO 30 PSI	0 TO 100 PSI	0 TO 150 PSI	0 TO 250 PSI	0 TO 500 PSI (8)	0 TO 300 mmHg
NULL SHIFT								
25° TO -18° C	± 0.75% SPAN MAX	± 2.00% SPAN MAX	± 1.50% SPAN MAX	± 1.25% SPAN MAX	± 0.75% SPAN MAX	± 0.75% SPAN MAX	± 1.00% SPAN MAX	± 1.25% SPAN MAX
25° TO +63° C	± 2.00% SPAN MAX	± 2.00% SPAN MAX	± 1.50% SPAN MAX	± 1.25% SPAN MAX	± 0.75% SPAN MAX	± 0.75% SPAN MAX	± 1.00% SPAN MAX	± 1.25% SPAN MAX
25° TO +45° C	± 1.00% SPAN MAX	± 2.75% SPAN MAX	± 1.75% SPAN MAX	± 2.00% SPAN MAX	± 1.00% SPAN MAX	± 1.00% SPAN MAX	± 1.50% SPAN MAX	± 2.75% SPAN MAX
25° TO +85° C	± 1.00% SPAN MAX	± 2.75% SPAN MAX	± 2.00% SPAN MAX	± 2.00% SPAN MAX	± 1.00% SPAN MAX	± 1.00% SPAN MAX	± 1.50% SPAN MAX	± 2.50% SPAN MAX
25° TO +125° C (5)	± 2.25% SPAN MAX	± 2.25% SPAN MAX	± 3.00% SPAN MAX	± 3.00% SPAN MAX	± 1.50% SPAN MAX	± 2.00% SPAN MAX	± 2.50% SPAN MAX	± 2.50% SPAN MAX
SPAN SHIFT								
25° TO -18° C	± 2.00% SPAN MAX	± 0.75% SPAN MAX	± 1.50% SPAN MAX	± 0.75% SPAN MAX	± 0.75% SPAN MAX	± 0.75% SPAN MAX	± 0.75% SPAN MAX	± 0.75% SPAN MAX
25° TO +63° C	± 0.75% SPAN MAX	± 0.75% SPAN MAX	± 1.50% SPAN MAX	± 0.75% SPAN MAX	± 0.75% SPAN MAX	± 0.75% SPAN MAX	± 0.75% SPAN MAX	± 0.75% SPAN MAX
25° TO +45° C	± 2.25% SPAN MAX	± 1.00% SPAN MAX	± 1.75% SPAN MAX	± 1.00% SPAN MAX	± 1.00% SPAN MAX	± 1.00% SPAN MAX	± 1.00% SPAN MAX	± 2.00% SPAN MAX
25° TO +85° C	± 1.25% SPAN MAX	± 1.00% SPAN MAX	± 2.00% SPAN MAX	± 1.00% SPAN MAX	± 1.00% SPAN MAX	± 1.00% SPAN MAX	± 1.00% SPAN MAX	± 1.75% SPAN MAX
25° TO +125° C (5)	± 2.25% SPAN MAX	± 2.25% SPAN MAX	± 2.25% SPAN MAX	± 2.00% SPAN MAX	± 1.50% SPAN MAX	± 2.00% SPAN MAX	± 1.50% SPAN MAX	± 1.75% SPAN MAX
COMBINED NULL AND SPAN SHIFT								
25° TO -18° C	± 1.50% SPAN MAX	± 2.00% SPAN MAX	± 2.00% SPAN MAX	± 1.50% SPAN MAX	± 0.75% SPAN MAX	± 0.75% SPAN MAX	± 1.00% SPAN MAX	± 1.50% SPAN MAX
25° TO +63° C	± 2.00% SPAN MAX	± 2.00% SPAN MAX	± 2.00% SPAN MAX	± 1.50% SPAN MAX	± 0.75% SPAN MAX	± 0.75% SPAN MAX	± 1.00% SPAN MAX	± 1.50% SPAN MAX
25° TO +45° C	± 1.75% SPAN MAX	± 3.00% SPAN MAX	± 2.50% SPAN MAX	± 2.50% SPAN MAX	± 1.00% SPAN MAX	± 1.00% SPAN MAX	± 1.75% SPAN MAX	± 4.00% SPAN MAX
25° TO +85° C	± 1.00% SPAN MAX	± 3.00% SPAN MAX	± 2.50% SPAN MAX	± 2.50% SPAN MAX	± 1.00% SPAN MAX	± 1.00% SPAN MAX	± 1.50% SPAN MAX	± 4.00% SPAN MAX
25° TO +125° C (5)	± 2.50% SPAN MAX	± 2.50% SPAN MAX	± 2.50% SPAN MAX	± 3.00% SPAN MAX	± 1.50% SPAN MAX	± 3.00% SPAN MAX	± 3.00% SPAN MAX	± 4.00% SPAN MAX
LINEARITY (B.F.S.L.)	0.30% SPAN MAX	0.20% SPAN MAX	0.30% SPAN MAX	0.10% SPAN MAX	0.10% SPAN MAX	0.10% SPAN MAX	0.20% SPAN MAX	± 0.20% SPAN MAX
ACCURACY (25C) RSS (2)	± 0.4% SPAN	± 0.4% SPAN	± 0.40% SPAN MAX	± 0.2% SPAN	± 0.2% SPAN	± 0.2% SPAN	± 0.2% SPAN	± 0.40% SPAN MAX
TOTAL ACCURACY (3)	-18 to 63° C	± 4.0% SPAN MAX	± 1.50% SPAN MAX	± 2.5% SPAN MAX	± 2% SPAN MAX	± 2% SPAN MAX	± 2% SPAN MAX	± 2.00% SPAN MAX
	-45 to 85° C	± 2.25% SPAN MAX	± 1.75% SPAN MAX	± 2.5% SPAN MAX	± 2% SPAN MAX	± 2% SPAN MAX	± 3% SPAN MAX	± 4.00% SPAN MAX
	-45 TO 125° C (5)	± 4.0% SPAN MAX	± 1.75% SPAN MAX	± 2.25% SPAN MAX	± 3.0% SPAN MAX	± 2.50% SPAN MAX	± 3% SPAN MAX	± 4.00% SPAN MAX

**NOTES**

1. TEMPERATURE ERROR IS THE MAXIMUM DEVIATION FROM 25° PERFORMANCE OVER THE ENTIRE TEMPERATURE RANGE SHOWN

2. ACCURACY IS DEFINED AS THE 25C, RSS ERRORS FOR LINEARITY, HYSTERESIS AND REPEATABILITY

3. TOTAL ACCURACY IS THE MAXIMUM DEVIATION FROM THE 25C REFERENCE TRANSFER FUNCTION AT ANY PRESSURE OR TEMPERATURE OVER THE SPECIFIED RANGES

4. OUTPUT CAN BE SHORTED TO THE POSITIVE TERMINAL OR THE GROUND TERMINAL

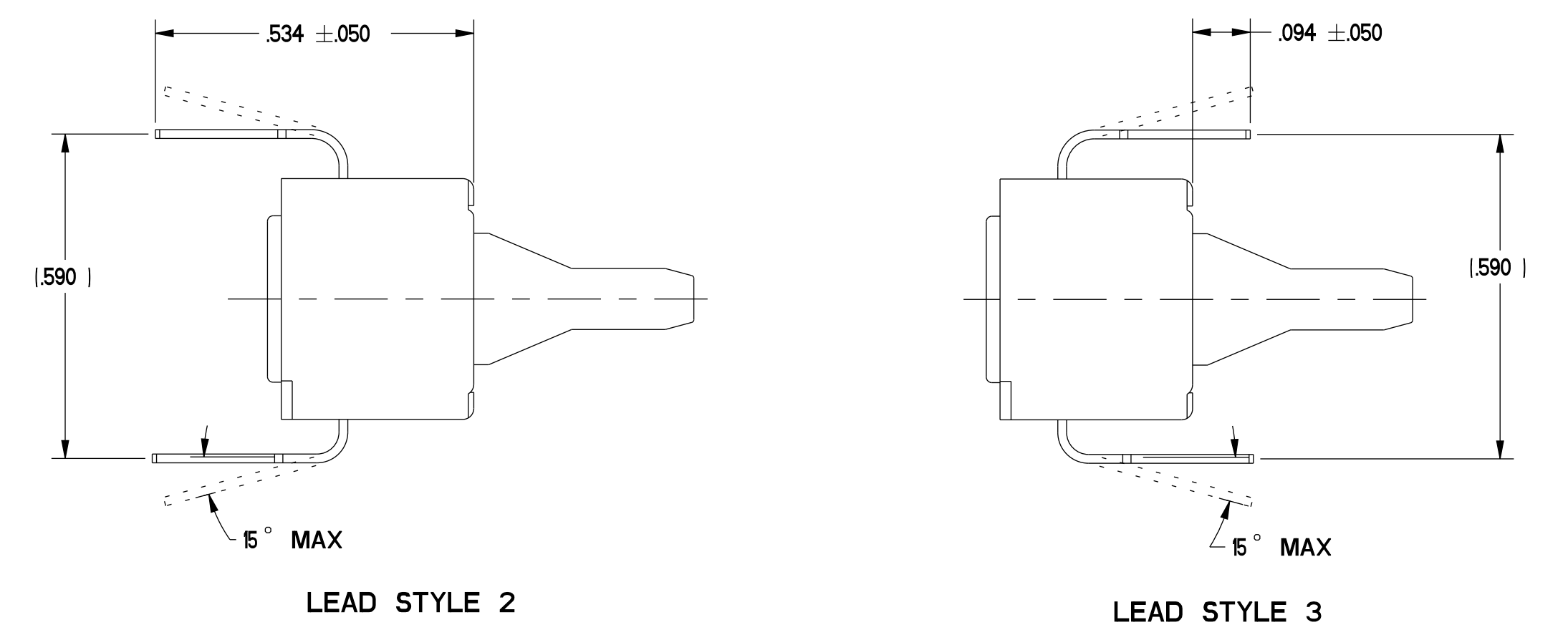
5. PRODUCT 100% TESTED AT THE -45 TO +85° C RANGE ONLY

6. INPUT MEDIA:  
P1 - DRY GASES ONLY; MEDIA MUST BE COMPATIBLE WITH EPOXY BASED ADHESIVE  
P2 - MEDIA MUST BE COMPATIBLE WITH GLASS, SILICON, STAINLESS STEEL, INVAR, Sn/Ni PLATING OR Sn/Ag SOLDER

7. PINS 4, 5 OR 6 ARE INTERNAL DEVICE CONNECTIONS, DO NOT CONNECT TO EXTERNAL CIRCUITRY OR GROUND, EXCEPT FOR AUTOMOTIVE GRADE

8. PRODUCT TESTED AT 250 PSI

9. 500 PSI HAS A BURST PRESSURE UP TO 1250 PSI



LEAD STYLE 2

LEAD STYLE 3

**40PC**

S - AUTOMOTIVE GRADE  
T - ENHANCED SOLDER JOINT

PORT STYLE  
A - STRAIGHT

LEAD STYLE  
1 - UNFORMED  
2 - FORMED AWAY FROM PORT  
3 - FORMED TOWARDS PORT

PRESSURE TYPE  
G - GAGE  
V - VACUUM

PRESSURE RANGE  
015 - 0 TO 15 PSI  
100 - 0 TO 100 PSI  
150 - 0 TO 150 PSI  
250 - 0 TO 250 PSI  
500 - 0 TO 500 PSI  
030 - 0 TO 30 PSI  
006 - 0 TO 300 mmHg

CATALOG LISTING	LEAD STYLE	PRESSURE RANGE	OVER-PRESSURE	SENSITIVITY	NULL (0 PSIG) VDC	SPAN VDC
40PC015G1A	1	0 TO 15 PSI	45 PSI	266.6 mV/PSI TYP	500±.10	4.000±.110
40PC015G2A	2	0 TO 15 PSI	45 PSI	266.6 mV/PSI TYP	500±.110	4.000±.110
40PC015G3A	3	0 TO 15 PSI	45 PSI	266.6 mV/PSI TYP	500±.110	4.000±.110
40PC100G1A	1	0 TO 100 PSI	200 PSI	40.0 mV/PSI TYP	500±.040	4.000±.090
40PC100G2A	2	0 TO 100 PSI	200 PSI	40.0 mV/PSI TYP	500±.040	4.000±.090
40PC100G3A	3	0 TO 100 PSI	200 PSI	40.0 mV/PSI TYP	500±.040	4.000±.090
40PC150G1A	1	0 TO 150 PSI	300 PSI	26.6 mV/PSI TYP	500±.040	4.000±.070
40PC150G2A	2	0 TO 150 PSI	300 PSI	26.6 mV/PSI TYP	500±.040	4.000±.070
40PC150G3A	3	0 TO 150 PSI	300 PSI	26.6 mV/PSI TYP	500±.040	4.000±.070
40PC250G1A	1	0 TO 250 PSI	500 PSI	16.0 mV/PSI TYP	500±.040	4.000±.070
40PC250G2A	2	0 TO 250 PSI	500 PSI	16.0 mV/PSI TYP	500±.040	4.000±.070
40PC250G3A	3	0 TO 250 PSI	500 PSI	16.0 mV/PSI TYP	500±.040	4.000±.070
40PC500G1A	1	0 TO 500 PSI	1000 PSI	8.0 mV/PSI TYP	500±.040	4.000±.090
40PC500G2A	2	0 TO 500 PSI	1000 PSI	8.0 mV/PSI TYP	500±.040	4.000±.090
40PC500G3A	3	0 TO 500 PSI	1000 PSI	8.0 mV/PSI TYP	500±.040	4.000±.090
40PC015V1A	1	0 TO -15 PSI	30 PSI	266.6 mV/PSI TYP	500±.040	4.0±.1
40PC015V2A	2	0 TO -15 PSI	30 PSI	266.6 mV/PSI TYP	500±.040	4.0±.1
40PC015V3A	3	0 TO -15 PSI	30 PSI	266.6 mV/PSI TYP	500±.040	4.0±.1
40PC030G1A	1	0 TO 30 PSI	60 PSI	133.3 mV/PSI TYP	500±.040	4.000±.080
40PC030G2A	2	0 TO 30 PSI	60 PSI	133.3 mV/PSI TYP	500±.040	4.000±.080
40PC030G3A	3	0 TO 30 PSI	60 PSI	133.3 mV/PSI TYP	500±.040	4.000±.080
40PC006G1A	1	0 TO 300 mmHg	650 mmHg	13.33 mV/mmHg	500±.050	4.000±.050
40PC006G2A	2	0 TO 300 mmHg	650 mmHg	13.33 mV/mmHg	500±.050	4.000±.050
40PC006G3A	3	0 TO 300 mmHg	650 mmHg	13.33 mV/mmHg	500±.050	4.000±.050
40PC150G1AS	1	0 TO 150 PSI	300 PSI	26.6 mV/PSI TYP	500±.040	4.000±.070
40PC150GIAT	1	0 TO 150 PSI	300 PSI	26.6 mV/PSI TYP	500±.040	4.000±.070

**CAUTION**  
ELECTROSTATIC SENSITIVE DEVICES  
DO NOT OPEN OR HANDLE EXCEPT AT A STATIC FREE WORKSTATION

**ESD SENSITIVITY: CLASS 1**

THIRD ANGLE PROJECTION

SCALE 4:1

DO NOT SCALE PRINT

UNLESS OTHERWISE SPECIFIED TOLERANCES ARE

ONE PLACE (.0) +.030  
TWO PLACE (.00) +.015  
THREE PLACE (.000) +.005  
ANGLES +

WEIGHT

THIS DRAWING COVERS A PROPRIETARY ITEM AND IS THE PROPERTY OF MICRO SWITCH, A DIVISION OF HONEYWELL. THIS DRAWING IS NOT TO BE COPIED OR USED WITHOUT THE APPROVAL OF MICRO SWITCH.

FED. MFG. CODE 91929

**MICRO SWITCH**  
a Honeywell Division

**PRESSURE SENSOR**

**40PC SERIES CHART 1**

# Mouser Electronics

Authorized Distributor

Click to View Pricing, Inventory, Delivery & Lifecycle Information:

## Honeywell:

[40PC006G1A](#) [40PC006G2A](#) [40PC015G1A](#) [40PC015G2A](#) [40PC015V1A](#) [40PC015V2A](#) [40PC015V3A](#)  
[40PC030G1A](#) [40PC030G2A](#) [40PC100G1A](#) [40PC100G2A](#) [40PC100G3A](#) [40PC150G1A](#) [40PC150G2A](#)  
[40PC150G3A](#) [40PC250G1A](#) [40PC250G2A](#) [40PC250G3A](#) [40PC500G1A](#) [40PC500G2A](#) [40PC015G3A](#)  
[40PC150G1AT](#)